

# **CERAMIC COAL FUEL EFFECT INSTALLER AND OWNER GUIDE**

THIS GUIDE IS FOR FITTING THE MOULDED **COAL**  
CERAMIC FUEL EFFECT TO THE

**CLASS 1 HE** MODELS ONLY  
(CERAMIC SET NUMBER 5134065)

## **IMPORTANT**

**THIS GUIDE MUST BE PLACED INSIDE OR ATTACHED  
TO THE INSTALLER AND OWNER GUIDE SUPPLIED  
WITH THE GAS FIRE. IT MUST BE LEFT WITH THE  
OWNER.**

**THIS GUIDE MUST BE READ IN CONJUNCTION WITH  
THE INSTALLER AND OWNER GUIDE SUPPLIED WITH  
THE GAS FIRE.**

# INSTALLER AND OWNER GUIDE

© Baxi Heating U.K. Limited 2010.

All rights reserved. No part of this publication may be reproduced in any material form (including photocopying), stored in any medium by electronic means (including in any retrieval system or database) or transmitted, in any form or by any means, whether electronic, mechanical, recording or otherwise, without the prior written permission of the copyright owner.

Applications for the copyright owner's permission to reproduce any part of this publication should be made, giving details of the proposed use, to the following address: The Company Secretary, Brooks House, Coventry Road, Warwick, CV34 4LL

Warning: Any person who does any unauthorised act in relation to a copyright work may be liable to criminal prosecution and civil claims for damages.

Valor Fires, Erdington, Birmingham B24 9QP

Because our policy is one of constant development and improvement, details may vary slightly from those given in this publication

## SAFETY

**This product uses fuel effect pieces and burner compartment walls containing Refractory Ceramic Fibres (RCF), which are man-made vitreous silicate fibres. Excessive exposure to these materials may cause irritation to eyes, skin and respiratory tract. Consequently, it is important to take care when handling these articles to ensure that the release of dust is kept to a minimum. To ensure that the release of fibres from these RCF articles is kept to a minimum, during installation and servicing we recommend that you use a HEPA filtered vacuum to remove any dust and soot accumulated in and around the fire before and after working on the fire. When replacing these articles we recommend that the replaced items are not broken up, but are sealed within a heavy duty polythene bag, clearly labelled as RCF waste. RCF waste is classed as a stable, non-reactive hazardous waste and may be disposed at a landfill licenced to accept such waste. Protective clothing is not required when handling these articles, but we recommend you follow the normal hygiene rules of not smoking, eating or drinking in the work area and always wash your hands before eating or drinking.**

**This appliance does not contain any component manufactured from asbestos or asbestos related products.**

# INSTALLER AND OWNER GUIDE

## FITTING THE CERAMIC COAL FUEL EFFECT

The ceramic fuel effect may cause staining / discolouration to decorative surfaces. It is therefore advisable to protect decorative surfaces.

Note: Depending upon model the detail around the ceramic fuel effect may be different to that shown.

**1.** Place the ceramic base coal in the burner compartment. The bottom rear face of the coal should rest on the angled ledge at the back of the burner compartment. The bottom front recess edges on the coal base should locate against the tags at the front of the ceramic support (See figure 1).

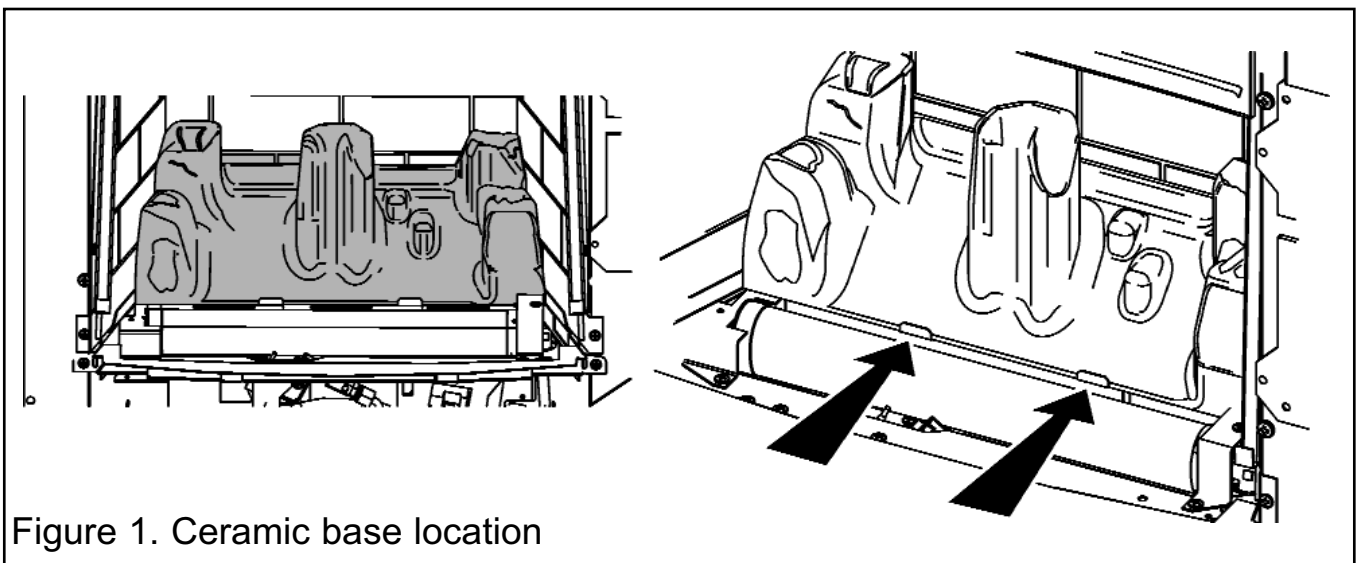


Figure 1. Ceramic base location

**2.** It is important that the front ceramics are positioned correctly and do not cover the burner ports in any way. Locate the left hand front ceramic as in figure 2 so that its front edge rests against the rear of the burner baffle. Insert the bottom left hand corner first.

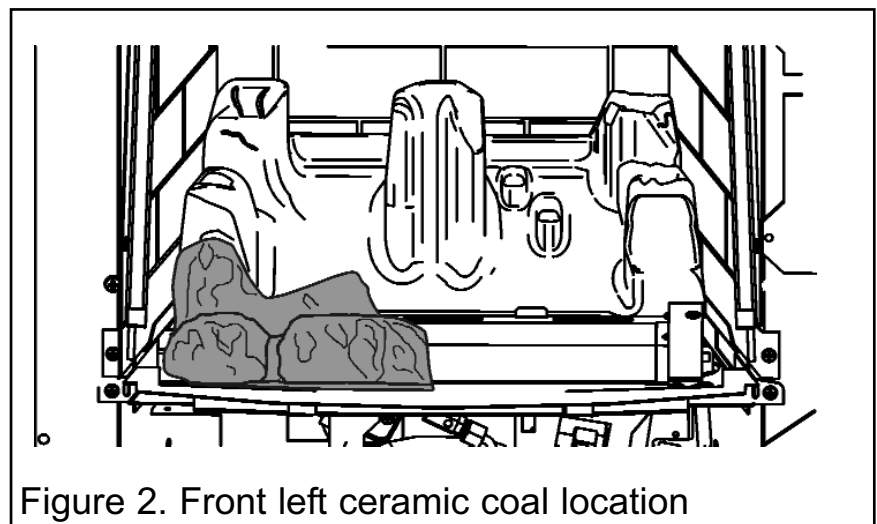


Figure 2. Front left ceramic coal location

# INSTALLER AND OWNER GUIDE

**3.** Locate the right hand front ceramic as in figure 3 so that its front edge rests against the rear of the burner baffle. Insert the bottom right hand corner first. There should be no gap between the left and right hand front ceramics.

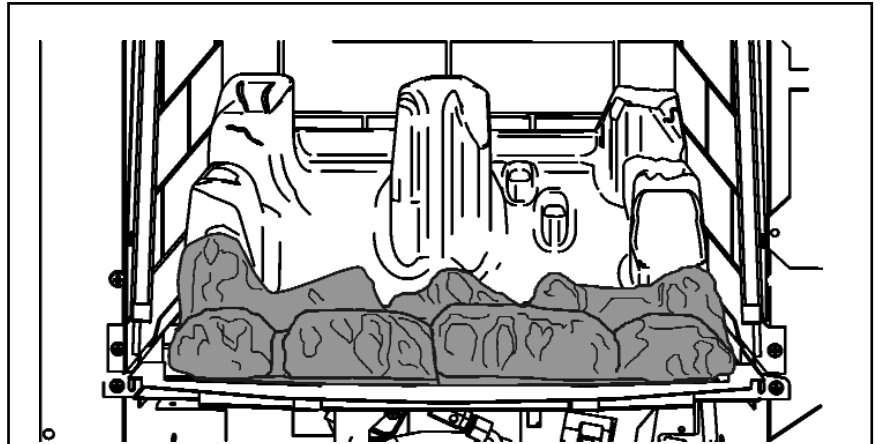


Figure 3. Front right ceramic coal location

**4.** Locate the overlay ceramic onto the rear ceramic as in figure 4. Locate the overlay ceramic so that the row of four coals are to the front and the row of two coals are to the rear.



Figure 4. Overlay ceramic coal location